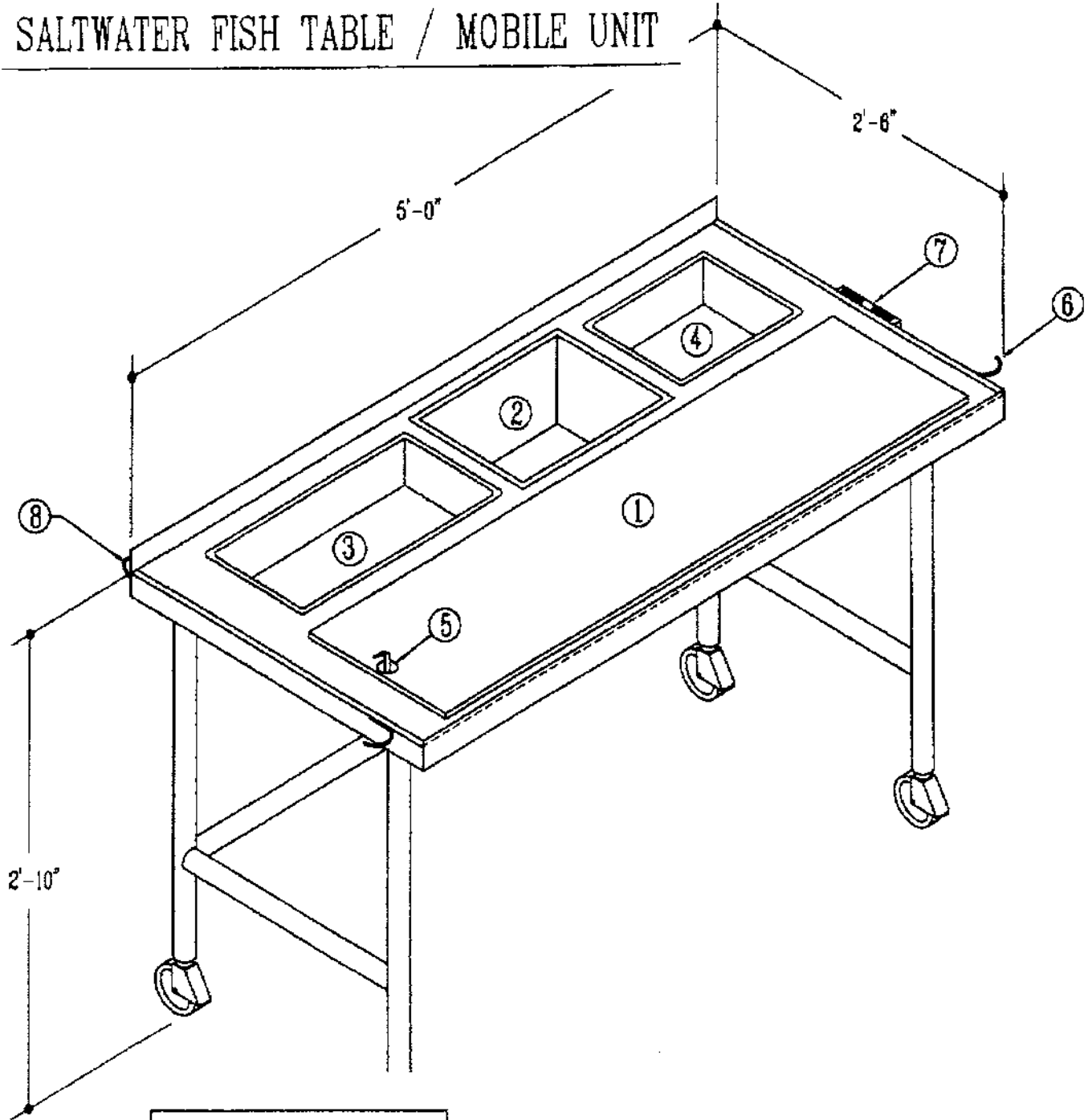


SALTWATER FISH TABLE / MOBILE UNIT



- ① 14" X 54" X 1/2" POLY CUTTING BOARD
- ② 12" X 18" DEBOSSED OPENING WITH REMOVABLE TRASH CHUTE.
- ③ 12" X 20" X 4" PLASTIC LUG
- ④ 12" X 10" X 4" PLASTIC LUG
- ⑤ STAINLESS- HOOKED FISH SPIKE
- ⑥ GARDEN HOSE HANGER (QTY. 2)
- ⑦ STAINLESS KNIFE HOLDER LEFT OR RIGHT HAND OPT.
- ⑧ HEAVY DUTY STAINLESS LOCK RING. (QTY. 3)

TOP CONSTRUCTED OF 14 GA. 304 STAINLESS STEEL
 LEGS AND CROSSRAILS CONSTRUCTED OF 1 5/8" O.D.
 STAINLESS STEEL TUBE.
 MARINE EDGE ON FRONT AND SIDES.

