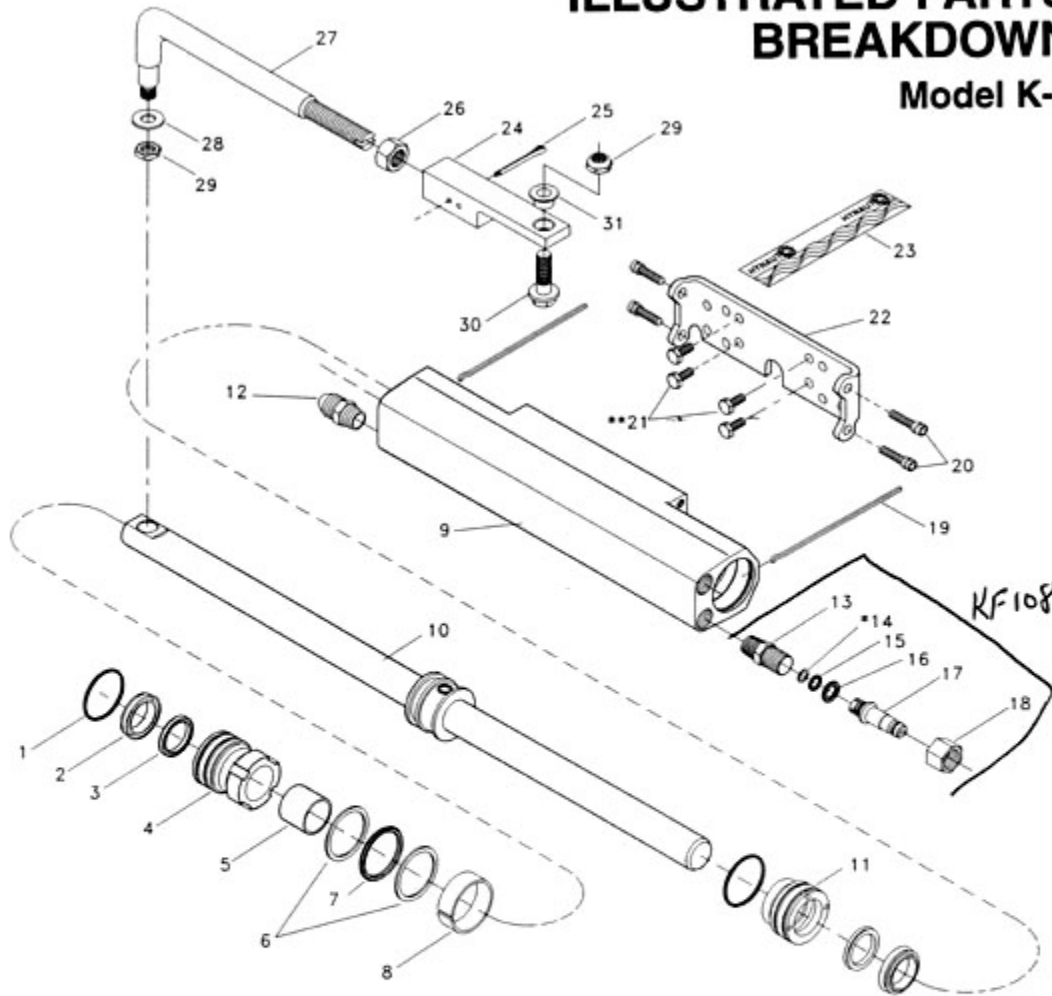


ILLUSTRATED PARTS BREAKDOWN

Model K-6



Parts Description

Item	Description	Part No.	Qty.
1	O-Ring	211027	2
2	Rod Wiper	700138	2
3	Rod Seal	224021	2
4	Cylinder End	560574	1
5	Rod Bushing	630081	1
6	Back-Up Ring	252218	2
7	O-Ring	211218	1
8	Wear Ring	640088	1
9	Cylinder Tube	500184	1
10	Cylinder Rod Assembly	550630	1
11	Cylinder End	560584	1

Parts Description (Con't)

Item	Description	Part No.	Qty.
12	Fitting	690011	2
13	Connector	691061	2
*14	Washer	390048	2
15	O-Ring	211010	2
16	O-Ring	211109	2
17	Fitting	691191	2
18	Nut	691261	2
19	Retaining Ring	300067	2
20	Bolt	241297	4
**21	Bolt	**	4

Parts Description (Con't)

Item	Description	Part No.	Qty.
22	Mounting Bracket	360017	1
23	Label	180091	1
24	Clevis	680157	1
25	Cotter Pin	290397	1
26	Nut	270037	1
27	Draglink	680147	1
28	Washer	260157	1
29	Nut	270107	2
30	Bolt	241307	1
31	Bushing	630071	1

* Washer may not be required on some units
 ** Mercury, Mariner, Honda, Force, Suzuki use Part No. 241117
 Evinrude & Johnson use Part No. 241197
 Yamaha uses Part No. 241127

