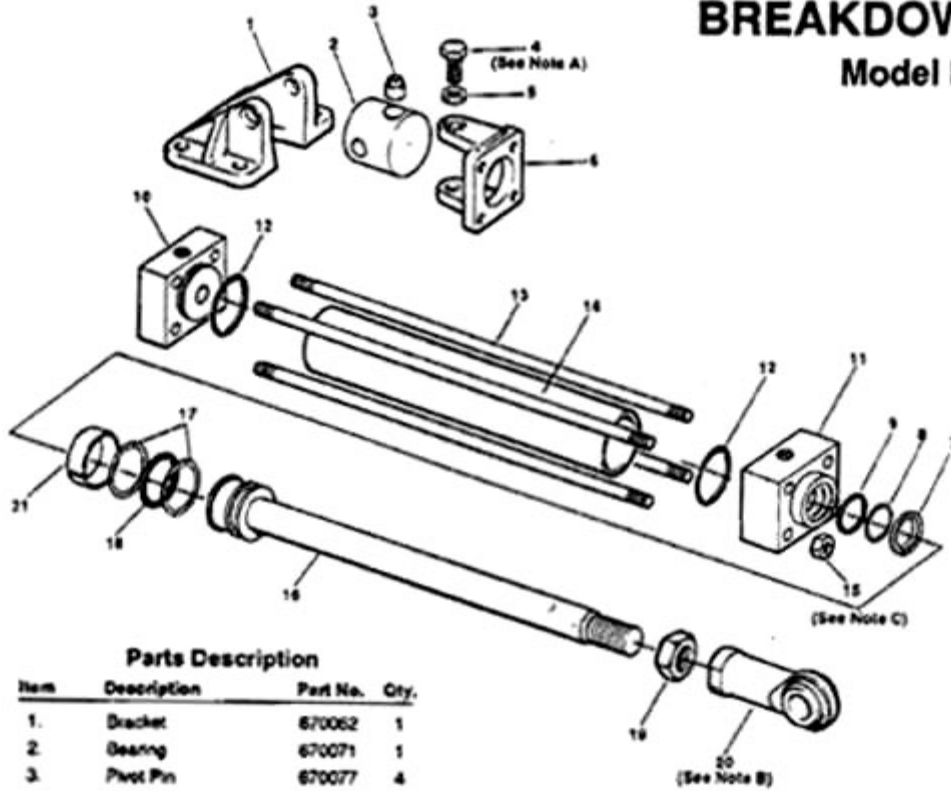


ILLUSTRATED PARTS BREAKDOWN Model K-5



Parts Description

Item	Description	Part No.	Qty.
1.	Bracket	670062	1
2.	Bearing	670071	1
3.	Pivot Pin	670077	4
4.	Screw	240137	4
5.	Spacer	540177	4
6.	Bracket	670052	1
7.	* Rod Wiper	700078	1
8.	* Teflon Backup Ring	252212	1
9.	* O-Ring	211212	1
10.	Cylinder End	560271	1
11.	Cylinder End	560261	1
12.	* O-Ring	211028	2
13.	Tie Rod	420067	4
14.	Cylinder Tube	500201	1

Item	Description	Part No.	Qty.
15.	Nut	270137	4
16.	Rod Assembly	550380	1
17.	* Teflon Backup Ring	252218	2
18.	* O-Ring	211218	1
19.	Nut	270117	1
20.	Ball Joint	670020	1
21.	* Wear Ring	640088	1

* Included in Hynautic Seal Kit No. KS-15

Note A: Clean and secure with "Loctite 660". Apply 22 - 34 ft. lbs. torque

Note B: Clean and secure with "Loctite 660" to thread area. Apply 40-45 ft. lbs torque.

Note C: Clean and apply 75-78 in. lbs. torque

