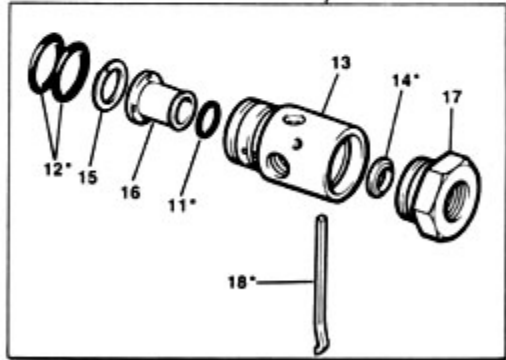
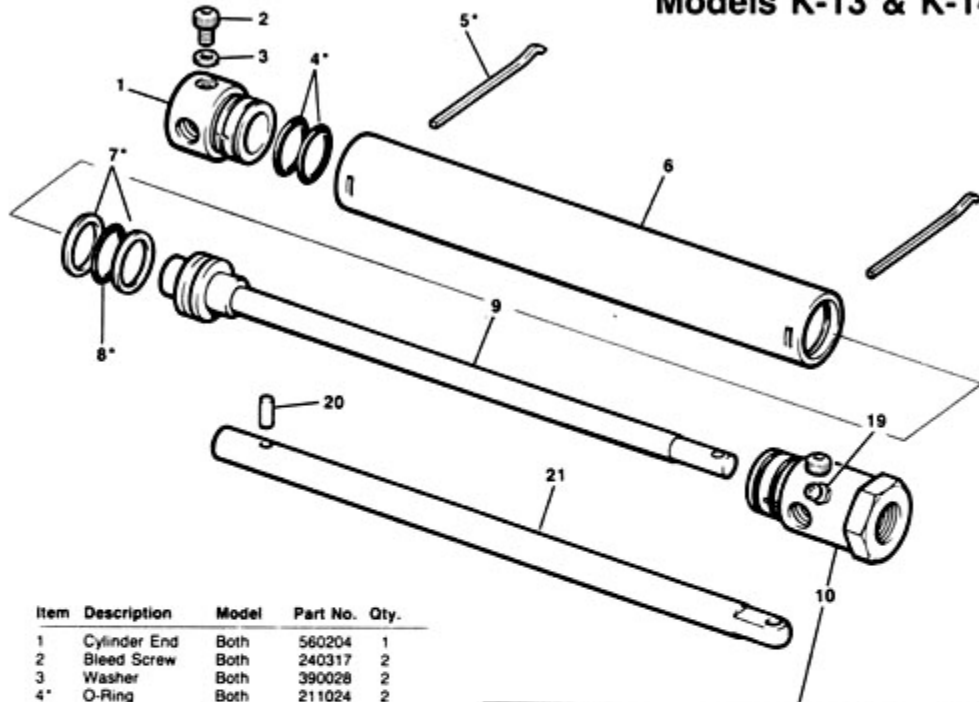


ILLUSTRATED PARTS BREAKDOWN

Aluminum Cylinders

Models K-13 & K-14



Item	Description	Model	Part No.	Qty.
1	Cylinder End	Both	560204	1
2	Bleed Screw	Both	240317	2
3	Washer	Both	390028	2
4*	O-Ring	Both	211024	2
5*	Wire	Both	300037	2
6	Cylinder Tube	K-13	500074	1
		K-14	500054	1
7*	Back-up Ring	Both	252214	2
8*	O-Ring	Both	211214	1
9	Rod Assembly	K-13	550100	1
		K-14	550080	1
10	Cylinder End Assembly	Both	560040	1
11*	O-Ring	Both	211112	1
12*	O-Ring	Both	211024	2
13	End	Both	560404	1
14*	Wiper	Both	700098	1
15	Retaining Ring	Both	300066	1
16	Bearing	Both	640108	1
17	End, Swivel	Both	560414	1
18*	Wire	Both	300037	1
19	Grease Fitting	Both	690137	1
20	Pin	Both	350047	1
21**	Shaft Adapter	Both	400157	1

* Incorporated in Hynautic Seal Kit No. KS-01
 ** As a replacement part, this item has no hole to accept pin
 — must be drilled.



Marine Systems and Products -1579 Barber Road, Sarasota, FL 34240 Tel. 941-379-0500 FAX 941-379-0496

© 1992 Ims Industries, Inc., Hynautic Operations, Morse Controls Division

