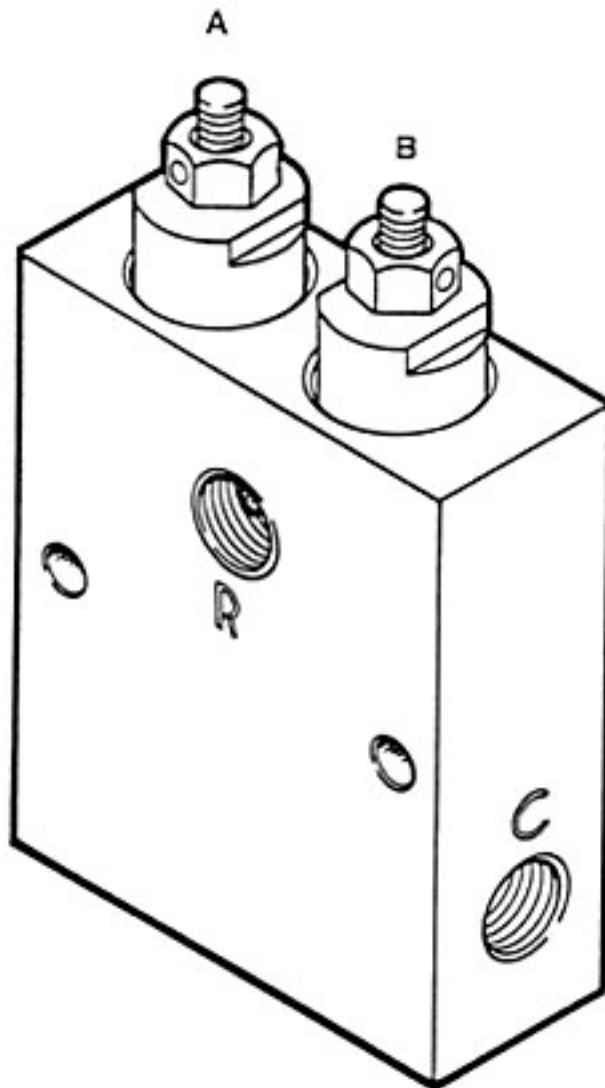


ILLUSTRATED PARTS BREAKDOWN

Model MSV-21



Parts Description

Description	Part No.	Qty.
Filter	160113	2
O-Ring	211010	2
O-Ring	211014	2
O-Ring	211016	2
Ball	232506	4
Nut	270051	2
Pin	290137	2
Screw	320031	2
Plug	380061	2
Spring	430026	2
Spring	430316	2
Spring End	440065	4
Seat	490085	2
Spacer	540065	2
Piston	600091	2
Body	900534	1

CAUTION

Parts in cavity "A" and cavity "B" are not interchangeable.

Disassembly of this component will void any existing warranty.

NOTE: The valve assembly is precision manufactured and tested by Hynautic. Disassembly is not recommended and individual parts are not replaceable.

Return the entire unit to Hynautic or point-of-purchase for authorized repair and re-testing.



184016