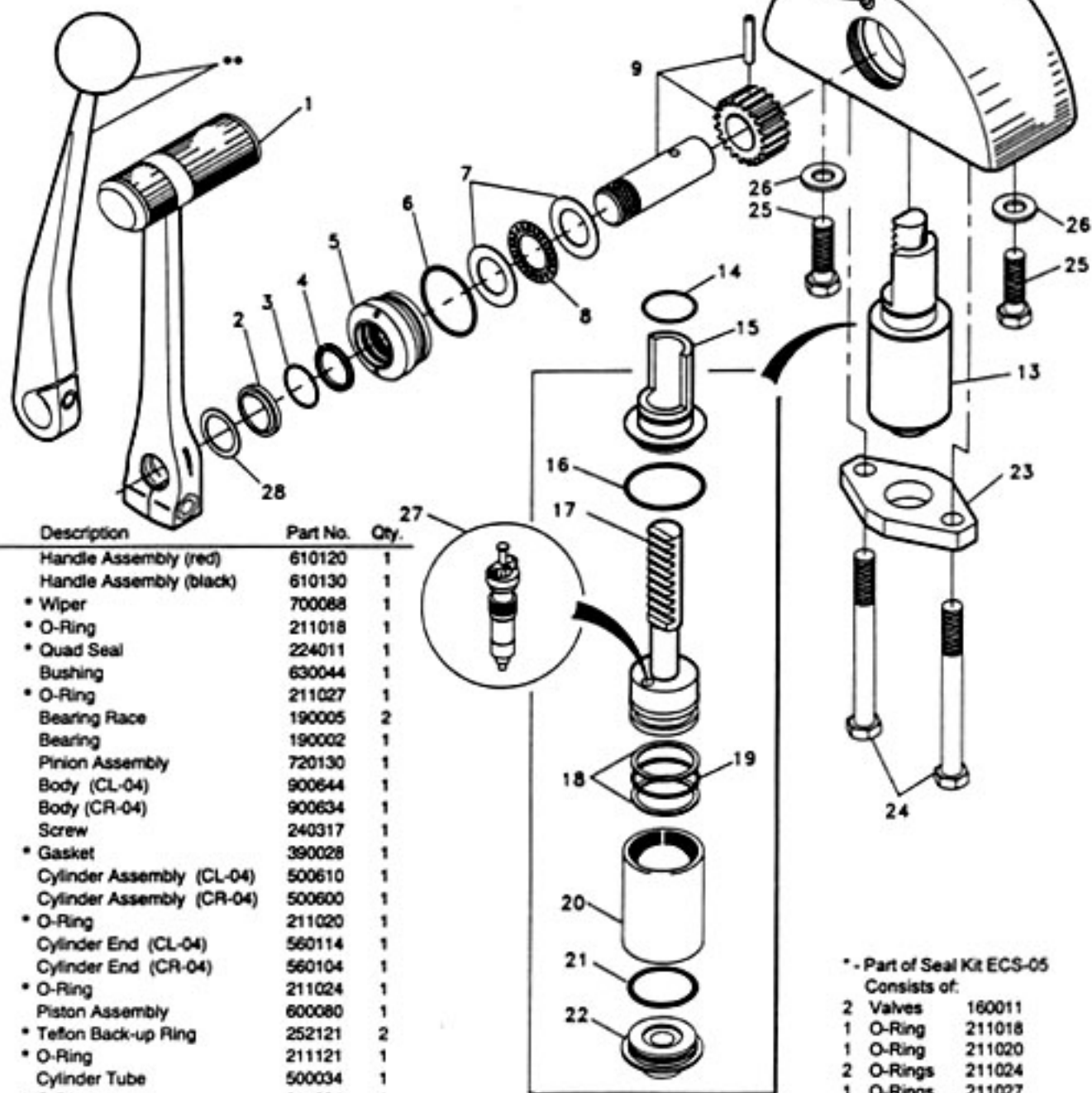


# Sender Assembly

## Model CR-04 - Control, Right

## Model CL-04 - Control, Left



Item	Description	Part No.	Qty.
1	Handle Assembly (red)	610120	1
	Handle Assembly (black)	610130	1
2	* Wiper	700088	1
3	* O-Ring	211018	1
4	* Quad Seal	224011	1
5	Bushing	630044	1
6	* O-Ring	211027	1
7	Bearing Race	190005	2
8	Bearing	190002	1
9	Pinion Assembly	720130	1
10	Body (CL-04)	900644	1
	Body (CR-04)	900634	1
11	Screw	240317	1
12	* Gasket	390028	1
13	Cylinder Assembly (CL-04)	500610	1
	Cylinder Assembly (CR-04)	500600	1
14	* O-Ring	211020	1
15	Cylinder End (CL-04)	560114	1
	Cylinder End (CR-04)	560104	1
16	* O-Ring	211024	1
17	Piston Assembly	600080	1
18	* Teflon Back-up Ring	252121	2
19	* O-Ring	211121	1
20	Cylinder Tube	500034	1
21	* O-Ring	211024	1
22	Cylinder End	560244	1
23	Plate	520014	1
24	Bolt	240727	2
25	Screw	240067	2
26	Washer	260157	2
27	* Dill Valve	160011	2
28	Washer	740018	1

\*\* Optional Handle (Red) CK-01  
Optional Handle (Black) CK-02

\* - Part of Seal Kit ECS-05  
Consists of:

2	Valves	160011
1	O-Ring	211018
1	O-Ring	211020
2	O-Rings	211024
1	O-Rings	211027
1	O-Ring	211121
1	Seal	224011
2	Rings	252121
1	Gasket	390028
1	Wiper	700088