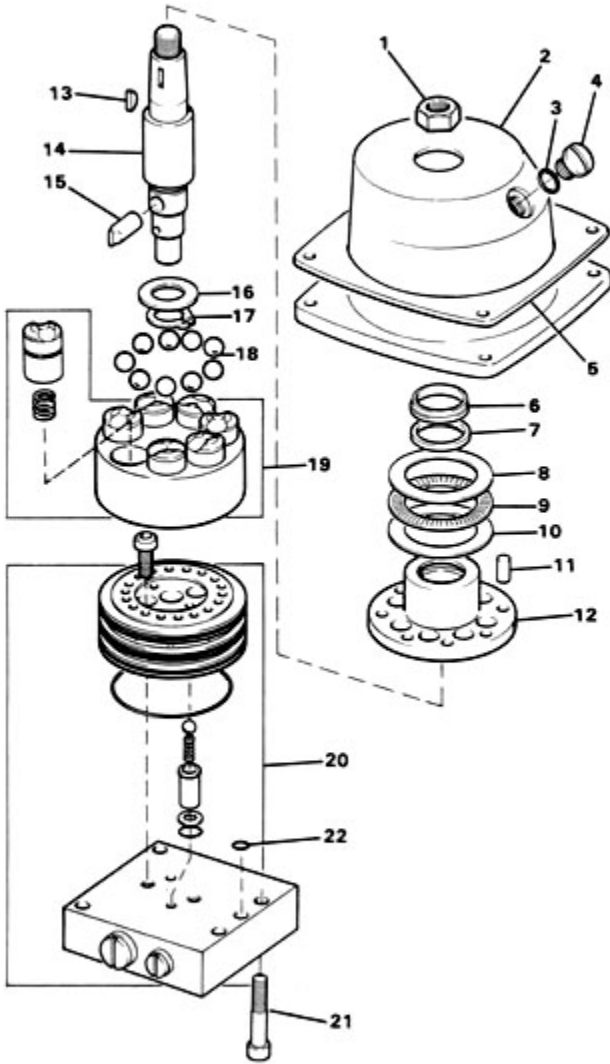


H-60 SERIES

ILLUSTRATED PARTS BREAKDOWN

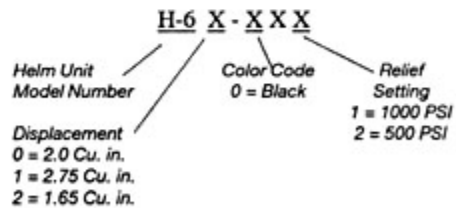


Parts Description

Item	Description	Helm Models	Part No.	Qty.
1.	Nut	ALL	270037	1
2.	Helm Body	ALL	901024	1
3.	O-Ring	ALL	211906	1
4.	Fill Plug	ALL	380544	1
5.	Trim Plate	ALL	520604	1
6.	Wiper	ALL	700068	1
7.	Quad-Ring Seal	ALL	224015	1
8.	Bearing Race-thin	ALL	190010	1
9.	Bearing-thrust	ALL	190011	1
10.	Bearing Race-thick	ALL	190009	1
11.	Pin	ALL	290146	9
12.	Ball Cage	ALL	620028	1
13.	Key	ALL	650027	1
14.	Shaft	ALL	400257	1
15.	Key	ALL	650028	1
16.	Washer	ALL	190012	1
17.	Retaining Ring	ALL	300046	1
18.	Ball	ALL	234066	9
19.	Cyl. Barrel Assy.	H-60	510110	1
		H-61	510120	1
		H-62	510130	1
20.	Valve Body Assy.	H-60-001	900450	1
		H-61-001	900450	1
		H-62-001	900450	1
21.	Screw	ALL	240467	4
22.	O-Ring	ALL	211009	1
A.	Seal Kit	ALL	HS-06	1
B.	Fill Kit	ALL	HF-35	1

WARNING

The Helm Units are manufactured under strict controls and testing procedures. Disassembly of item no. 20 will void any existing warranty. The Valve Body Assembly is under heavy spring load and disassembly could cause some pieces to be projectiles which could cause bodily harm. It is recommended that the unit be returned to Hynatic or the point of purchase for authorized repair and retesting.



Marine Systems and Products - 1579 Barber Road, Sarasota, FL 34240 Tel. 813-379-0500 FAX 813-379-0496

© 1992 Ino Industries, Inc. Hynatic Operations, Morse Controls Division

