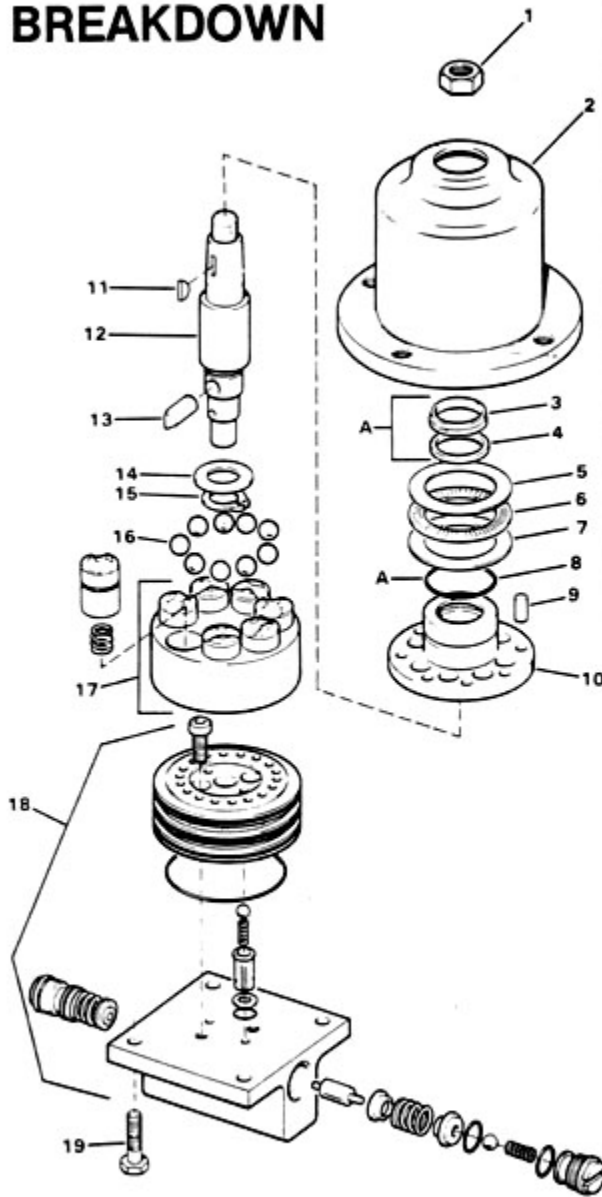


ILLUSTRATED PARTS BREAKDOWN

H-50 SERIES



Parts Description

Item	Description	Helm Models	Part No.	Qty.
1	Nut	ALL	270037	1
2	Helm Body	ALL	900604	1
3	Wiper	ALL	700068	1
4	Quad-Ring Seal	ALL	224012	1
5	Bearing Race-thin	ALL	190010	1
6	Bearing-thrust	ALL	190011	1
7	Bearing Race-thick	ALL	190009	1
8	O-Ring	ALL	211028	1
9	Pin	ALL	290146	9
10	Ball Cage	ALL	620028	1
11	Key	ALL	650027	1
12	Shaft	ALL	400257	1
13	Key	ALL	650026	1
14	Retaining Ring	ALL	190012	1
15	Retaining Ring	ALL	300046	1
16	Ball	ALL	234066	9
17	Cyl. Barrel Assy	H-50	510070	1
		H-51	510080	1
		H-52	510090	1
18	Valve Body Assy	ALL	900230	1
19	Screw	ALL	240387	4
A	Seal Kit	ALL	HS-05	

WARNING
 The Helm Units are manufactured under strict controls and testing procedures. Disassembly of item no. 18 will void any existing warranty.
 It is recommended that the unit be returned to Hynautic or the point of purchase for authorized repair and retesting.
 See opposite side drawing for timing alignment marks and positioning.

* NOTE: All helms produced after February 1985 use a single seal #224015 in place of #4 and #8 shown in drawing. This seal is incorporated in the seal kit.

Manne hydraulic systems and products



P.O. Box 668 Osprey, Florida 33559 Telephone 813-966-2151