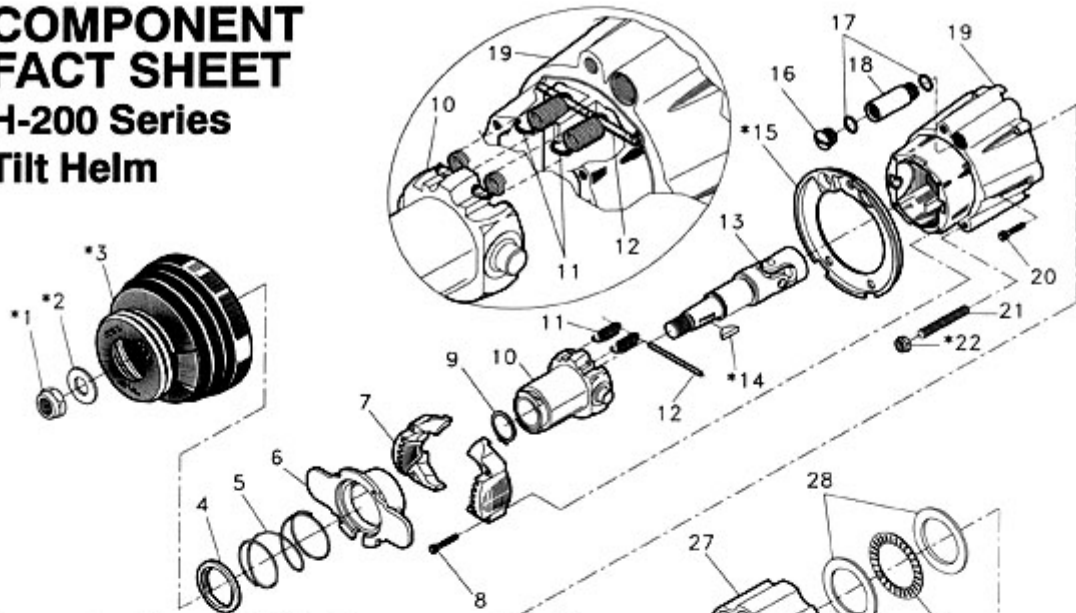


COMPONENT FACT SHEET

H-200 Series Tilt Helm



Item	Description	Part No.	Qty.
1.	* Wheel Nut	270125	1
2.	* Washer	260155	1
3.	* Boot	170005	1
4.	Spring Cap	370028	1
5.	Spring	430097	1
6.	Latch	610029	1
7.	Tower Cap	370019	2
8.	Screw	241387	4
9.	Retaining Ring	300106	1
10.	Swivel Housing	590028	1
11.	Spring	430087	2
12.	Pin, Spring Anchor	290407	1
13.	Universal Joint	400180	1
14.	* Woodruff Key	650027	1
15.	* Mounting Plate	390105	1
16.	Cap, Filler Plug	380544	1
17.	O-Ring	211906	2
18.	Filler Plug	380634	1
19.	Front Housing	901174	1
20.	Screw	241397	6
21.	Stud	240215	3
22.	* Nut	270115	3
23.	Quad Ring Seal	224024	1
24.	I-Glide Bearing	190023	1
25.	Wedge		1
	H-216	540274	
	H-220	540264	
	H-224	540254	
26.	Ball Bearing	190021	1
27.	Piston Barrel Assembly	510160	1
28.	Race Bearing	190003	2
29.	Thrust Bearing	190001	1
30.	Spring	430706	7
31.	Piston Assembly	600170	7
32.	Gasket	310016	1
33.	Rear Housing	860068	1
34.	O-Ring	211105	2
35.	O-Ring	211133	1
36.	Body Assembly	900470	1
37.	Fitting	690051	2
38.	Screw	241147	4
39.	Plug	690181	1

* Included In Helm Fitting Kit, HF-93

HYDRAWITC 1579 Barber Road, Sarasota, FL 34240 • Tel. 941.379.0500 • FAX 941.379.0496

184034
1/98