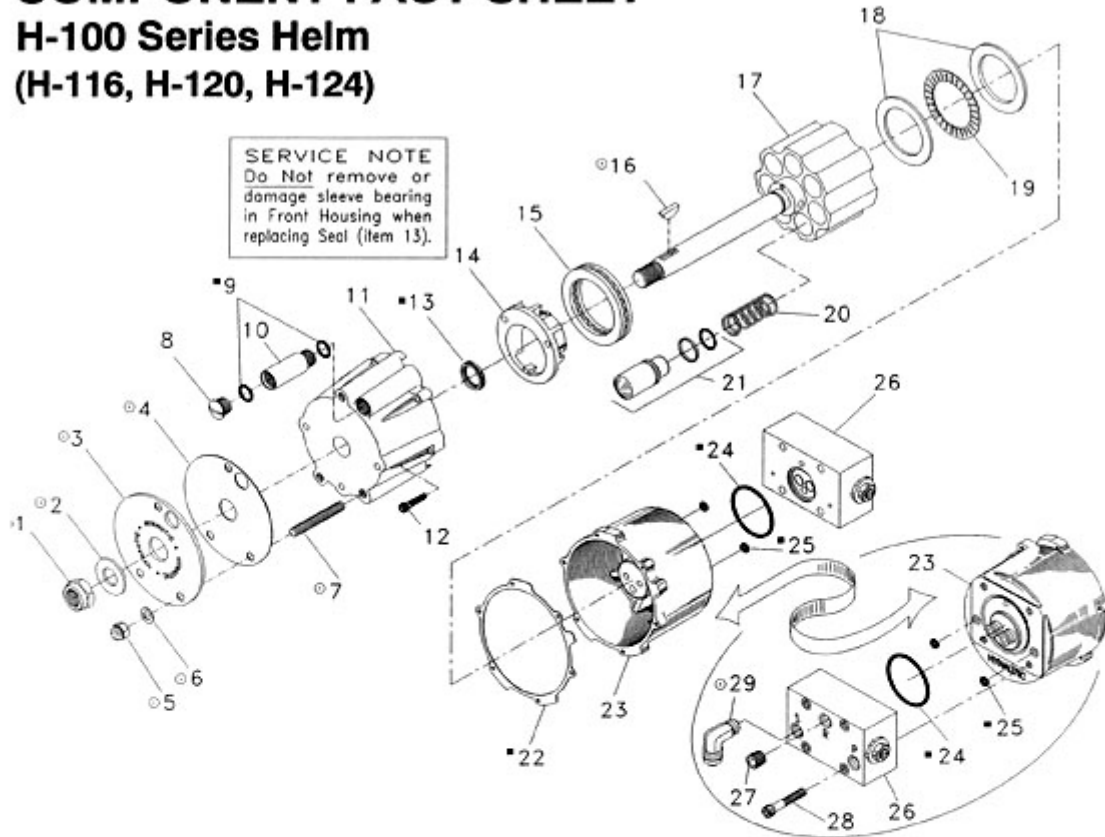


COMPONENT FACT SHEET

H-100 Series Helm

(H-116, H-120, H-124)



SERVICE NOTE
Do Not remove or damage sleeve bearing in Front Housing when replacing Seal (Item 13).

Item	Description	Part No.	Qty.
1. Ⓞ	Wheel Nut	270297	1
2. Ⓞ	Washer	260217	1
3. Ⓞ	Cover Plate	520101	1
4. Ⓞ	Cover Plate Gasket	310054	1
5. Ⓞ	Acorn Nut	340091	3
6. Ⓞ	Mounting Nut Gasket	390058	3
7. Ⓞ	Stud	420157	3
8.	Filler Plug Cap	380544	1
9. ▫	O-Ring	211906	2
10.	Filler Plug	380634	1
11.	Front Housing Assembly	900520	1
12.	Screw	241397	1
13. ▫	Quad Ring Seal	224024	1
14.	Wedge		1
	H116	540274	
	H120	540264	
	H124	540254	

Item	Description	Part No.	Qty.
15.	Ball Bearing	190021	1
16. Ⓞ	Woodruff Key	650027	1
17.	Piston Barrel Assembly	510180	1
18.	Race Bearing	190003	2
19.	Thrust Bearing	190001	1
20.	Spring	430706	7
21.	Piston Assembly	600170	7
22. ▫	Gasket	310016	1
23.	Rear Housing	860068	1
24. ▫	O-Ring	211133	1
25. ▫	O-Ring	211105	2
26.	Body Assembly	900470	1
27.	Plug	690181	1
28.	Screw	241147	4
29. Ⓞ	Fitting	690051	2

▫ Included in HS-10 Seal Kit
 Ⓞ Included in Helm Fitting Kit, HF-94
 Use HF-35 Purge Kit (not shown)

Hydraulic 1579 Barber Road, Sarasota, FL 34240 • Tel. 941.379.0500 • FAX 941.379.0496

184035
6/98