

ASSEMBLY, INSTALLATION AND USE INSTRUCTIONS FOR LIFT LADDERS

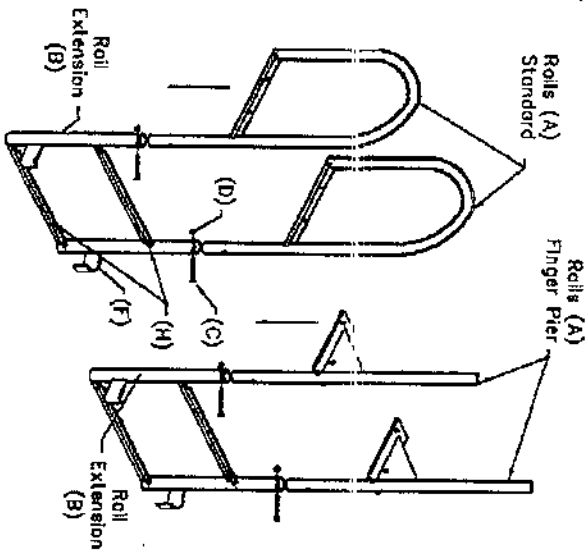


Figure (1)

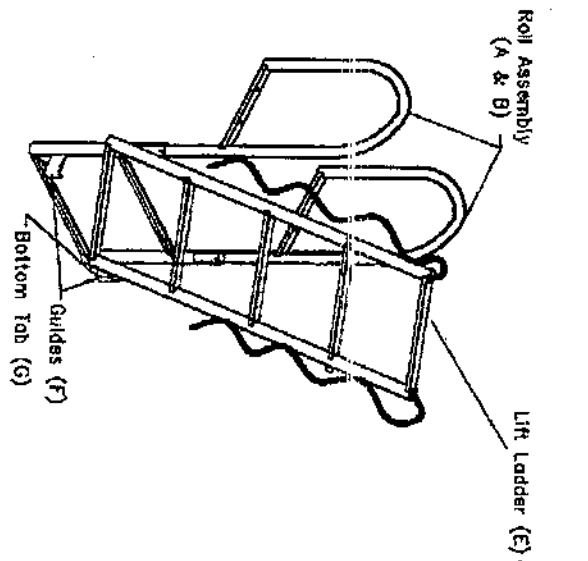


Figure (2)

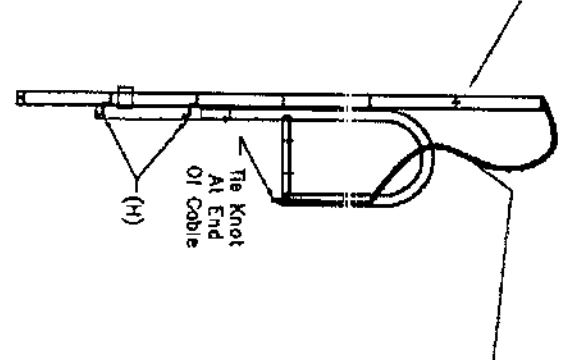


Figure (3)

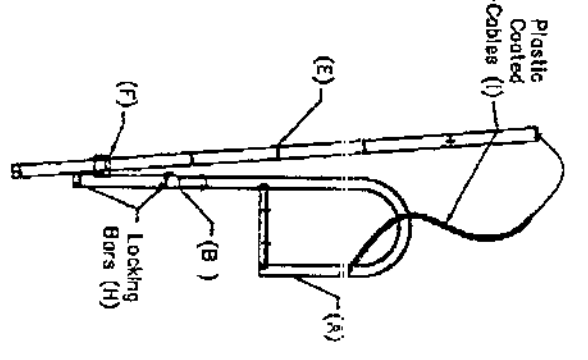


Figure (4)

Assembly Instructions:

- Figure 1: Insert Rolls (A) into Roll Extension (B). Insert supplied Bolts (C) with the bolt head on the front of the ladder, as shown. Attach Nuts (D) and tighten.
 - Figure 2: Attach Lift Ladder (E) to Roll Assembly (A & B) by tilting the Lift Ladder (E) as shown to allow Bottom Tab (G) to go under Guide (F). Align Lift Ladder (E) parallel to Roll Assembly (AB) and lower Lift Ladder (E) until it locks in place as shown in Figure 3.
 - Figure 3: Be sure that the Plastic Coated Cables (I) are around the outside of the Rolls (A) and insert Plastic Coated Cable (I) into holes (downward) in Rolls (A) until they come out the bottom. Tie a Knot at the end of Cables (I) and pull them back up until they stop.
- Install assembled ladder using 1/2" stainless steel or hot dipped galvanized bolts or screws with flat washers appropriate to the application (not supplied).
- Instructions for Use:
- Figure 4: Hold Cables (I) and lift upward slightly in order to release Lift Ladder (E) from the Locking Bars (H). Keep the Lift Ladder (E) parallel to the Roll Assembly (AB), lean Lift Ladder (E) out and lower or raise to desired height. At desired height, lean Lift Ladder (E) in and lower it until it locks into place.